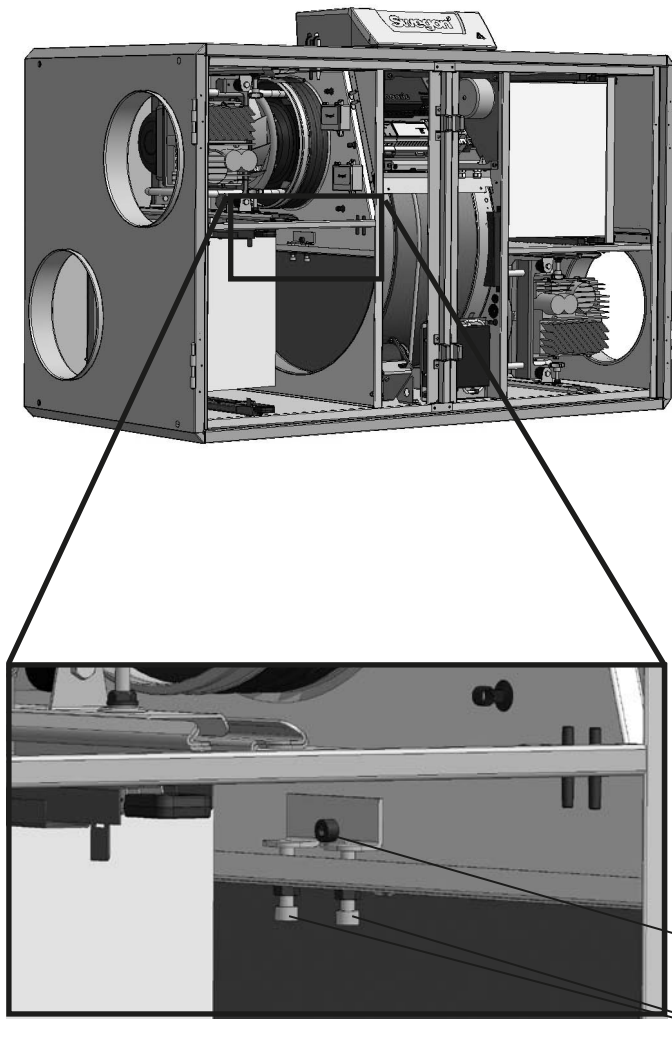


Adjustment of the Inclination of Rotary Heat Exchangers GOLD, sizes 04-60



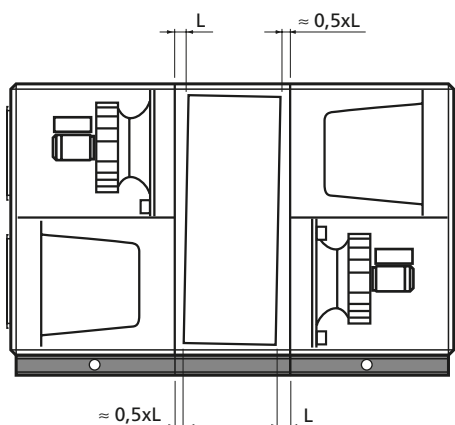
1. Back off the shaft holding bracket bolt (not completely, the shaft holding bracket is not to be dismantled).

Size 14-40: to reach bolt for shaft holding bracket, dismantle the fan flexible connection duct in the upper level.

2. Adjust the inclination of the rotor by means of the adjusting bolts (always reachable from the filter space in lower level).

Bolt for shaft holding bracket

Adjusting bolts



Sizes 50-60

The illustration shows the rotor inclination for Fan Arrangement 1. The inclination must always be toward the filter, which means that the inclination for Fan Arrangement 2 is in the other direction.

3. Screw on the bolt for the shaft holding bracket.