

Installation Exterior Wall Hood TBHE GOLD/SILVER C/COMPACT LP

1. General

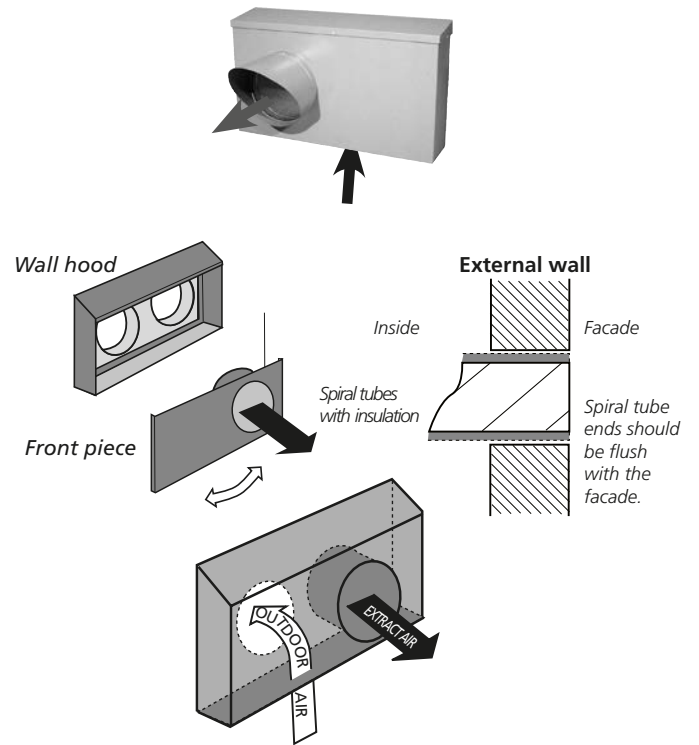
The exterior wall hood is designed for the admission of outdoor air and the discharge of exhaust air. The exhaust air is horizontally discharged through a circular wire mesh grille at the front of the hood. Outdoor air is admitted through a wire mesh grille at the bottom of the hood.

This design effectively prevents short-circuit flow between the outdoor air/exhaust air. For GOLD/SILVER C sizes 04/05, 07/08 and 11/12.

The TBHE exterior wall hoods are made of aluminium-zinc plated sheet steel covered with a Plastisol (light grey) surface coating that conforms to Environmental Class C4.

2. Installation

1. The outer wall hood consists of a wall hood and front piece. Begin by unscrewing the screws that secure the front piece to the hood and remove the front piece. The wall hood can now be used for checking the size of the openings and the position of the connections.
2. Make openings in the wall and run the extract air and outdoor air spiral ducts out through them. The duct ends should be flush with the facade of the building. The ducts should be insulated along their entire length out to the facade. The gap between the wall opening and the duct should be carefully sealed.
3. The wall hood has spigots fitted with a rubber seal ring for spiral ducts. Connect the wall hood to the outdoor air and extract air ducts. At this stage, it does not matter which duct is for outdoor air or extract air. Secure the wall hood to the facade in a suitable manner. Seal the joints with sealing compound or the like to prevent water from seeping in.

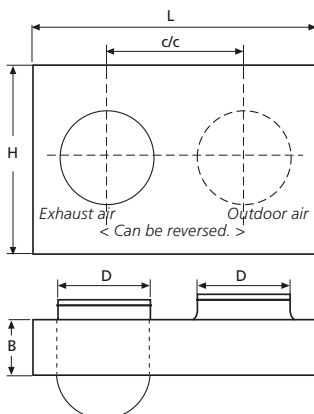


4. Then secure the front piece by means of screws to the wall hood. Note that the front piece can be reversed so that the extract air outlet will be on the correct side. The extract air must always be discharged straight out (horizontally) and admission of the outdoor air must always be from below.

3. Maintenance

Inspect the hood once a year and clean it if necessary.

TBHE Exterior wall hood



GOLD RX/PX	B	c/c	D	H	L	kg
04/05	200	420	Ø315	520	950	11
07/08	250	500	Ø400	580	1150	15
11/12	300	600	Ø500	750	1350	20

COMPACT LP/ GOLD LP	B	c/c	D	H	L	kg
05	250	500	Ø400	580	1150	15