

Installation Exterior Wall Hood TBHE GOLD/SILVER C

1. General

The exterior wall hood is designed for the admission of outdoor air and the discharge of exhaust air. The exhaust air is horizontally discharged through a circular wire mesh grille at the front of the hood. Outdoor air is admitted through a wire mesh grille at the bottom of the hood.

This design effectively prevents short-circuit flow between the outdoor air/exhaust air. For GOLD/SILVER C sizes 04/05, 07/08 and 11/12.

TBHE Exterior wall hood is made of colour-coated guaranteed sheet metal (grey) in environmental class C4.

2. Installation

1. Make openings in the wall and run the extract air and outdoor air spiral ducts out through them. The duct ends should be flush with the facade of the building.

The ducts should be insulated along their entire length out to the facade. The gap between the wall opening and the duct should be carefully sealed.

2. Turn the wall hood so that the exhaust air and outdoor air ducts are in the correct position. The exhaust air must always be discharged straight out (horizontally) and the outdoor air must always be admitted from below, see illustration.

Mount the top by means of the included sheet metal screws (4 pcs.). Connect the wall hood to the outdoor air and exhaust air ducts. The wall hood has spiral duct connections fitted with rubber seal rings.

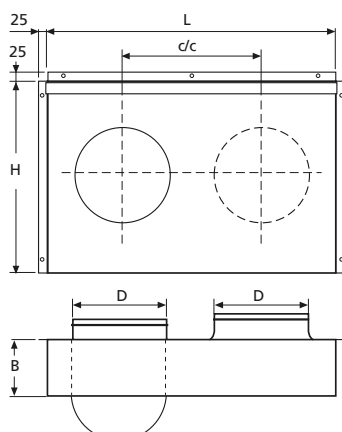
Secure the wall hood to the facade in a suitable manner. Seal the joints with sealing compound or the like to prevent water from seeping in.

3. Install the "cap" in the exhaust air outlet.

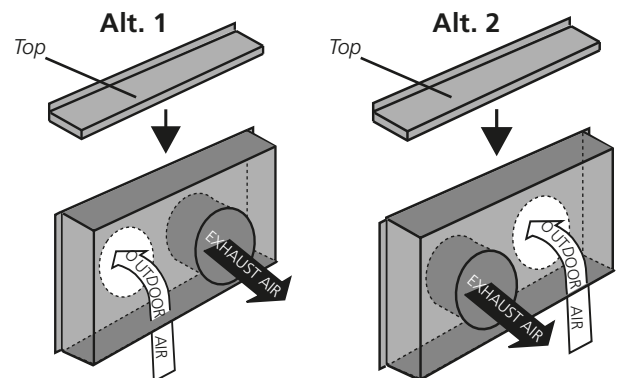
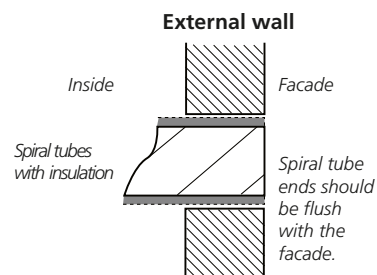
3. Maintenance

Inspect the hood once a year and clean it if necessary.

TBHE Exterior wall hood



GOLD/SILVER C RX/PX	B	c/c	D	H	L	kg
04/05	200	420	Ø315	490	950	11
07/08	250	500	Ø400	550	1150	15
11/12	300	600	Ø500	720	1350	20



Wall hood

Turn the wall hood so that the exhaust air and outdoor air ducts are in the correct position. The exhaust air must always be discharged straight out (horizontally) and the outdoor air must always be admitted from below, see illustration. Mount the top by means of the included sheet metal screws (4 pcs.). Install the "cap" in the exhaust air outlet.

