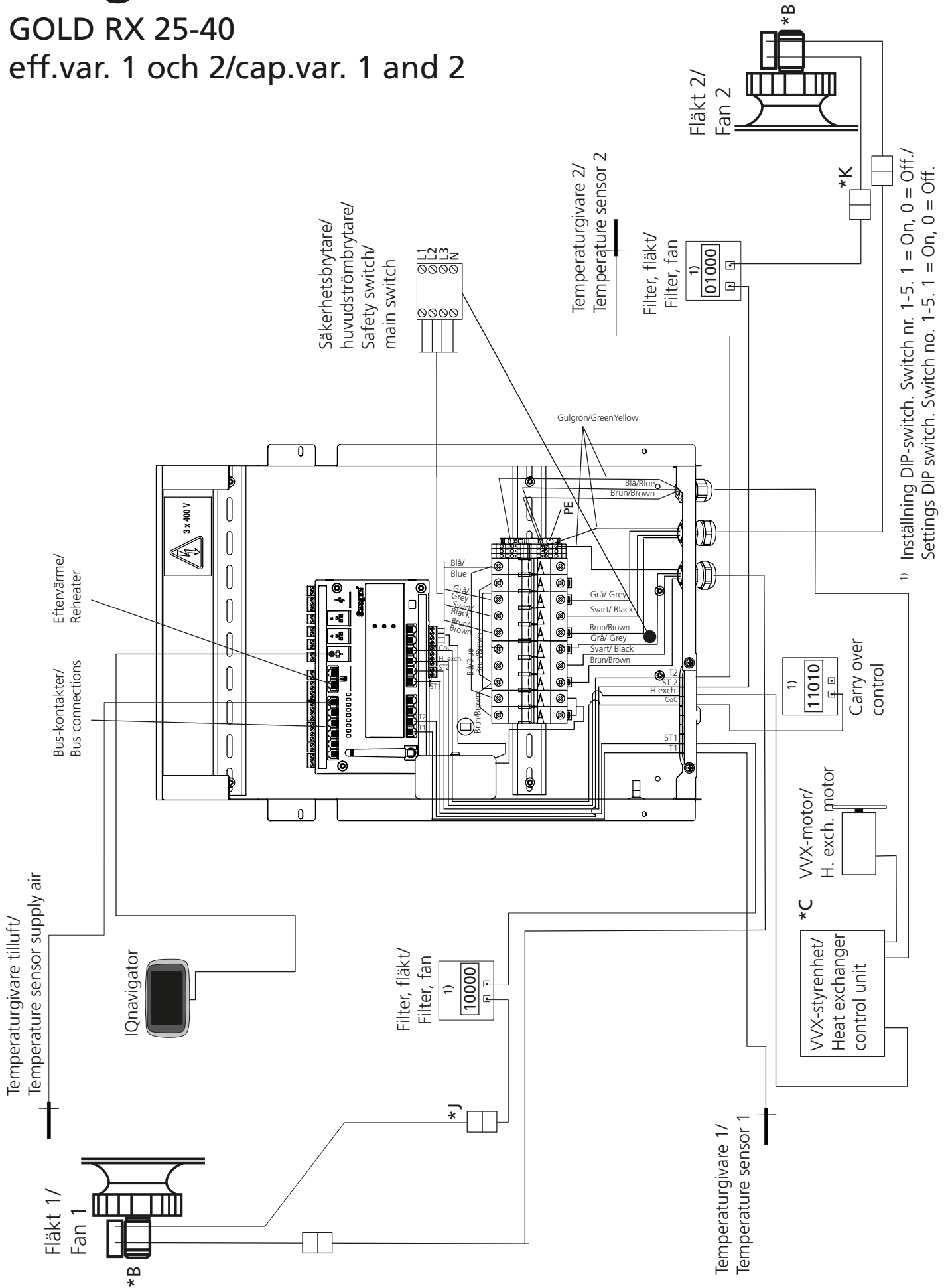
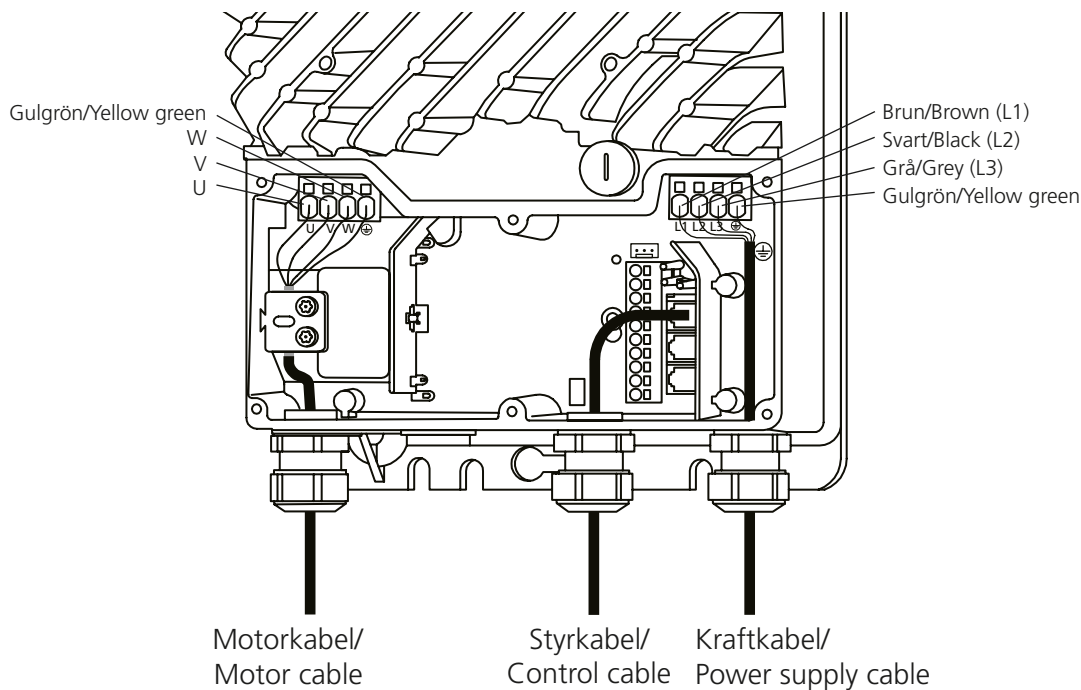


GOLD RX 25-40

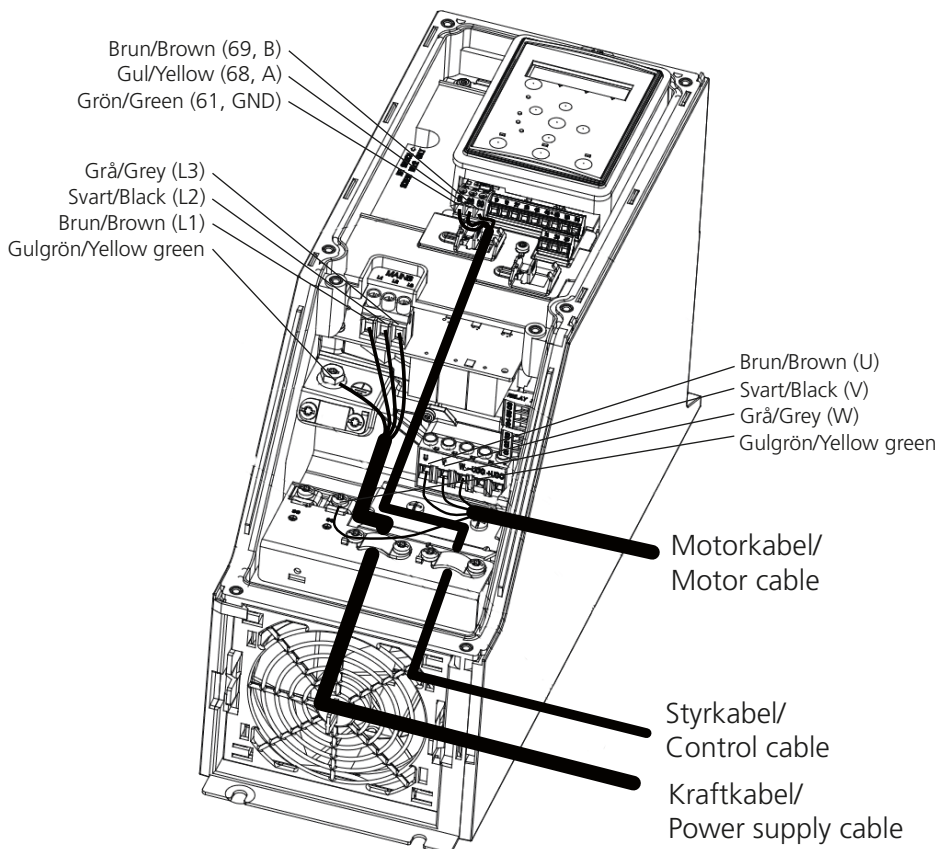
eff.var. 1 och 2/cap.var. 1 and 2



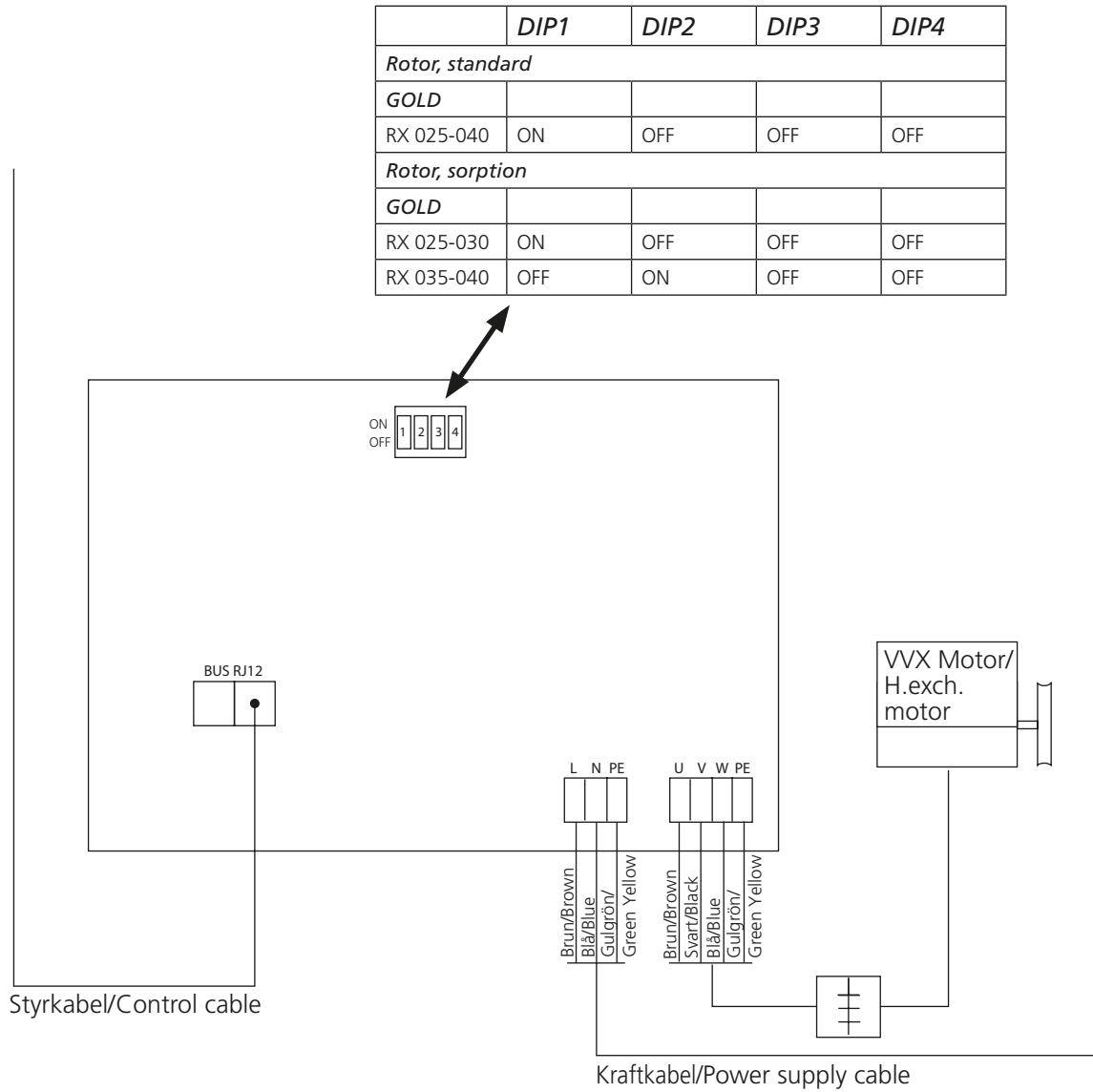
B:
Alt. 1: GOLD RX/PX/CX/SD14-120



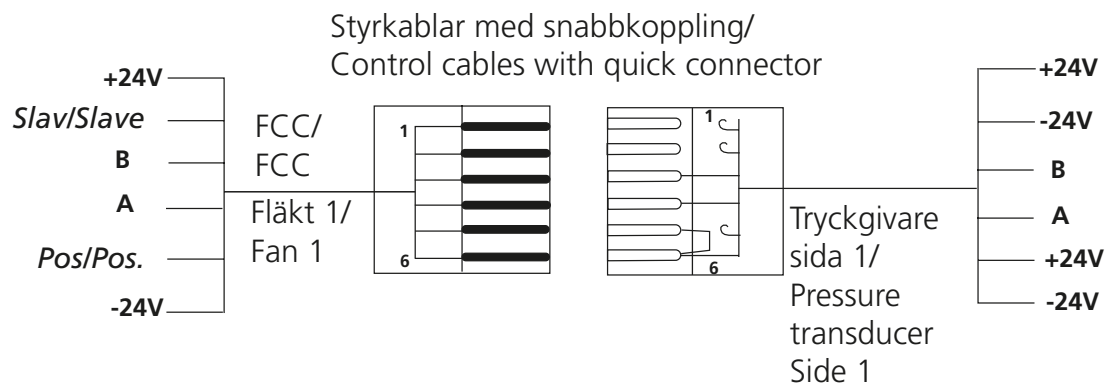
Alt. 2: GOLD RX/PX/CX/SD14-120



C: GOLD RX 04-80 standard, 04-70 sorption



J: GOLD RX/PX/CX/SD 04-50



K: GOLD RX/PX/CX/SD 04-50

